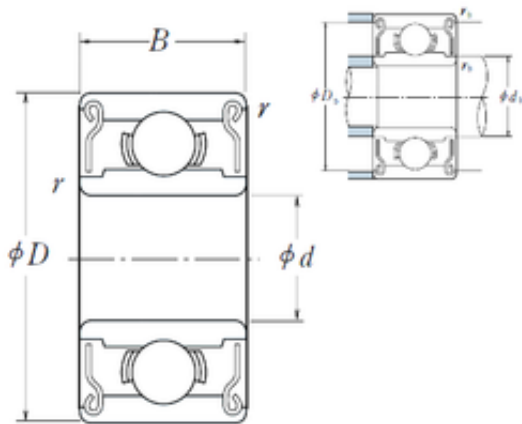




# BEARING CORP.



28,575 mm x 53,975 mm x 12,7 mm  
K32020AR0/CP0/XP0 Thin-section Ball Bearing

Bearing No. R18ZZ

R18ZZ Bearing 2D drawings and 3D CAD models

Size	28.575x53.975x12.7 mm
Bore Diameter	28,575 mm
Outer Diameter	53,975 mm
Width	12,7 mm
d	28,575 mm
D	53,975 mm
B	12,7 mm
C	12,7 mm
r min.	0,8 mm
Weight	0,095 Kg
Basic dynamic load rating (C)	13,3107021618724 kN
Basic static load rating (C0)	8,30802215472575 kN
Category	Single Row Ball Bearings
Inventory	0.0
Manufacturer Name	NSK
Minimum Buy Quantity	N/A
Weight / Kilogram	0.05
EAN	0029176003363
Product Group	B00308
Enclosure	2 Metal Shields
Precision Class	ABEC 1   ISO P0
Maximum Capacity / Filling Slot	No
Rolling Element	Ball Bearing
Snap Ring	No



## BEARING CORP.

Internal Special Features	No
Cage Material	Steel
Internal Clearance	C0-Medium
Inch - Metric	Inch
Long Description	1-1/8" Bore; 2-1/8" Outside Diameter; 1/2" Outer Race Width; 2 Metal Shields; Ball Bearing; ABEC 1   ISO P0; No Filling Slot; No Snap Ring; No Internal Special Features
Category	Single Row Ball Bearing
UNSPSC	31171504
Harmonized Tariff Code	8482.10.50.68
Noun	Bearing
Keyword String	Ball
Manufacturer URL	<a href="http://www.nskamericas.com">http://www.nskamericas.com</a>
Manufacturer Item Number	R18ZZ
Weight / LBS	0.111
Outer Race Width	0.5 Inch   12.7 Millimeter
Outside Diameter	2.125 Inch   53.975 Millimeter
Bore	1.125 Inch   28.575 Millimeter
bore diameter:	1.1250 in
dynamic load capacity:	2980 lb
outside diameter:	2.1250 in
static load capacity:	1860 lbs
overall width:	0.5000 in
precision rating:	Not Rated
bore type:	Round
finish/coating:	Uncoated
closure type:	Double Shielded
cage material:	Steel



## BEARING CORP.

row type & fill slot:	Single Row Non-Fill Slot
outer ring width:	1/2 in
snap ring included:	Without Snap Ring
fillet radius:	0.8 mm
internal clearance:	C0
maximum rpm:	15000 RPM
operating temperature range:	-10 to +110 ° C
series:	R