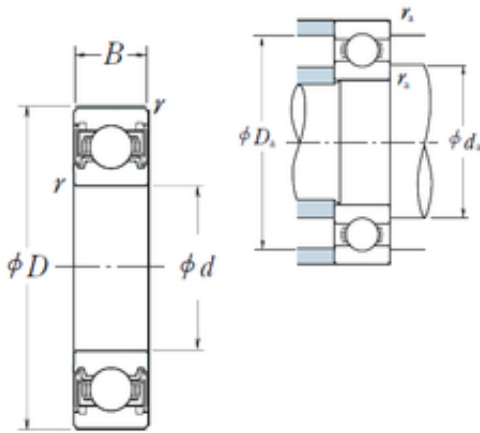




# BEARING CORP.



60 mm x 85 mm x 13 mm SP12 Ball Transfer  
Unit Main Ball Diameter 12.7mm

Bearing No. 6912VV

6912VV Bearing 2D drawings and 3D CAD models

Size	60x85x13 mm
Bore Diameter	60 mm
Outer Diameter	85 mm
Width	13 mm
d	60 mm
D	85 mm
B	13 mm
C	13 mm
r min.	1 mm
da min.	65 mm
da max	66 mm
Da max.	80 mm
ra max.	1 mm
Weight	0,192 Kg
Basic dynamic load rating (C)	19,4 kN
Basic static load rating (C0)	16,3 kN
(Grease) Lubrication Speed	7 500 r/min
Category	Single Row Ball Bearings
Inventory	0.0
Manufacturer Name	NSK
Minimum Buy Quantity	N/A
Weight / Kilogram	0.188
EAN	0029176418310
Product Group	B00308
Enclosure	2 Seals



## BEARING CORP.

Precision Class	ABEC 1   ISO P0
Maximum Capacity / Filling Slot	No
Rolling Element	Ball Bearing
Snap Ring	No
Internal Special Features	No
Cage Material	Steel
Enclosure Type	Non-Contact Seal
Internal Clearance	C0-Medium
Inch - Metric	Metric
Long Description	60MM Bore; 85MM Outside Diameter; 13MM Outer Race Diameter; 2 Seals; Ball Bearing; ABEC 1   ISO P0; No Filling Slot; No Snap Ring; No Internal Special Features
Category	Single Row Ball Bearing
UNSPSC	31171504
Harmonized Tariff Code	8482.10.50.68
Noun	Bearing
Keyword String	Ball
Manufacturer URL	<a href="http://www.nskamericas.com">http://www.nskamericas.com</a>
Weight / LBS	2.362
Outer Race Width	0.512 Inch   13 Millimeter
Bore	2.362 Inch   60 Millimeter
Outside Diameter	3.346 Inch   85 Millimeter
SRI	4.11
hidYobi	6912VV
LangID	1
D_	85
SREX	0.02
B_	13
da min	65



## BEARING CORP.

hidTable	ecat_NSRDGB
SRE	4.11
mass	0.192
GRS rpm	7500
ra	1
SRIX	0.02
D_a	80
SRIN	-0.02
C0	16.3
fo	16.2
SREN	-0.02
DE_	80.438
Prod_Type3	DGBB_SR_VV
DA_	7.938
bomp	0
Z_	16
yobi	6912VV
C_conv	19400
ALPHA_	0
SDM_	72.5
r	1
KBRG	6151
SBRG	19
DI_	64.562