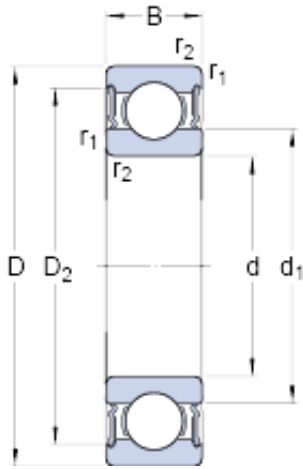




BEARING CORP.



65 mm x 140 mm x 48 mm ZARN55115-TN, ZARN55115-L-TN Ball Screw Support Bearings

Bearing No. 62313-2RS1

62313-2RS1 Bearing 2D drawings and 3D CAD models

Size	140x65x48 mm
Bore Diameter	140 mm
Outer Diameter	65 mm
Width	48 mm
d	65 mm
D	140 mm
B	48 mm
d ₁	88.35 mm
D ₂	121.3 mm
r _{1,2} - min.	2.1 mm
d _a - min.	77 mm
d _a - max.	88.3 mm
D _a - max.	128 mm
r _a - max.	2 mm
Basic dynamic load rating - C	92.3 kN
Basic static load rating - C ₀	60 kN
Fatigue load limit - P _u	2.5 kN
Limiting speed	3200 r/min
Calculation factor - k _r	0.03
Calculation factor - f ₀	13
d ₁	88.35 mm
D ₂	121.3 mm
r _{1,2} min.	2.1 mm
d _a min.	77 mm



BEARING CORP.

d_a max.	88.3 mm
D_a max.	128 mm
r_a max.	2 mm
Basic dynamic load rating C	92.3 kN
Basic static load rating C_0	60 kN
Fatigue load limit P_u	2.5 kN
Calculation factor k_r	0.03
Calculation factor f_0	13.2
Mass bearing	3 kg