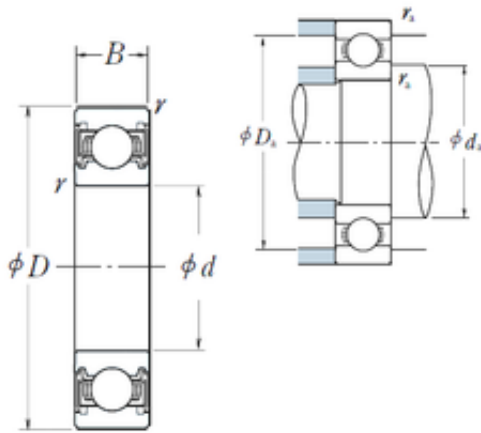




BEARING CORP.



12 mm x 37 mm x 12 mm Angular Contact Ball Bearing 7207AC 35x72x17mm

Bearing No. 6301VV

6301VV Bearing 2D drawings and 3D CAD models

Size	12x37x12 mm
Bore Diameter	12 mm
Outer Diameter	37 mm
Width	12 mm
d	12 mm
D	37 mm
B	12 mm
C	12 mm
r min.	1 mm
da min.	17 mm
da max	18 mm
Da max.	32 mm
ra max.	1 mm
Weight	0,06 Kg
Basic dynamic load rating (C)	9,7 kN
Basic static load rating (C0)	4,2 kN
(Grease) Lubrication Speed	20 000 r/min
Category	Single Row Ball Bearings
Inventory	0.0
Manufacturer Name	NSK
Minimum Buy Quantity	N/A
Weight / Kilogram	0.03
Product Group	B00308
Enclosure	2 Seals
Precision Class	ABEC 1 ISO P0



BEARING CORP.

Maximum Capacity / Filling Slot	No
Rolling Element	Ball Bearing
Snap Ring	No
Internal Special Features	No
Cage Material	Steel
Enclosure Type	Non-Contact Seal
Internal Clearance	C0-Medium
Inch - Metric	Metric
Long Description	12MM Bore; 37MM Outside Diameter; 12MM Outer Race Diameter; 2 Seals; Ball Bearing; ABEC 1 ISO P0; No Filling Slot; No Snap Ring; No Internal Special Features
Category	Single Row Ball Bearing
UNSPSC	31171504
Harmonized Tariff Code	8482.10.50.68
Noun	Bearing
Keyword String	Ball
Manufacturer URL	http://www.nskamericas.com
Manufacturer Item Number	6301VV
Weight / LBS	0.059
Outside Diameter	1.457 Inch 37 Millimeter
Bore	0.472 Inch 12 Millimeter
Outer Race Width	0.472 Inch 12 Millimeter
SRI	4.01
hidYobi	6301VV
LangID	1
D_	37
SREX	0.04
B_	12
da min	17



BEARING CORP.

hidTable	ecat_NSRDGB
SRE	4.21
mass	0.06
GRS rpm	20000
ra	1
SRIX	0.02
D_a	32
SRIN	0
C0	4.2
fo	11.1
SREN	0
DE_	32.438
Prod_Type3	DGBB_SR_VV
DA_	7.938
bomp	0
Z_	6
yobi	6301VV
C_conv	9700
ALPHA_	0
SDM_	24.5
r	1
KBRG	6151
SBRG	3
DI_	16.562